

CASTORS:
WHEELS:
TYRES:

76MM ROLLERBLADE
24 IN SPOKED
24X1 KENDA IRONCAP BLUE

BACK ANGLE
TO SUIT

MUST NOT PROTRUDE
PAST REAR OF WHEEL

200.0
MAX

BEARINGS
R82RS (S/S)

530 MAX


200.0
MAX

110.3
FIRST POINT
OF CONTACT

260mm
MAX

CASTOR HOUSING INSIDE
MAIN WHEEL

20
MAX

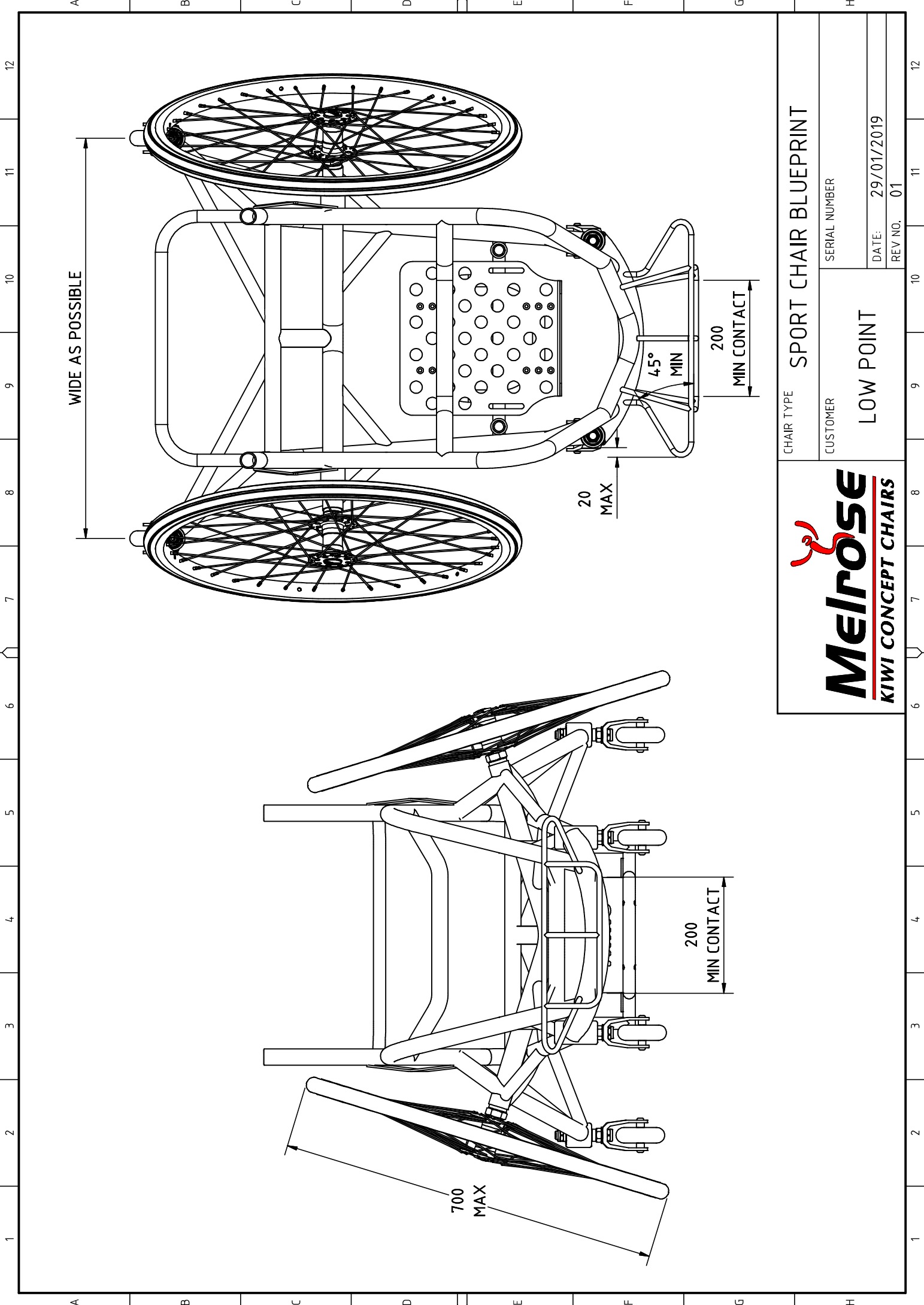
	CHAIR TYPE	SPORT CHAIR BLUEPRINT
	CUSTOMER	LOW POINT
SERIAL NUMBER		
DATE:	29/01/2019	
REV NO.:	01	

12 11 10 9 8 7 6 5 4 3 2 1

12 11 10 9 8 7 6 5 4 3 2 1

A B C D E F G H

A B C D E F G H



CHAIR TYPE **SPORT CHAIR BLUEPRINT**

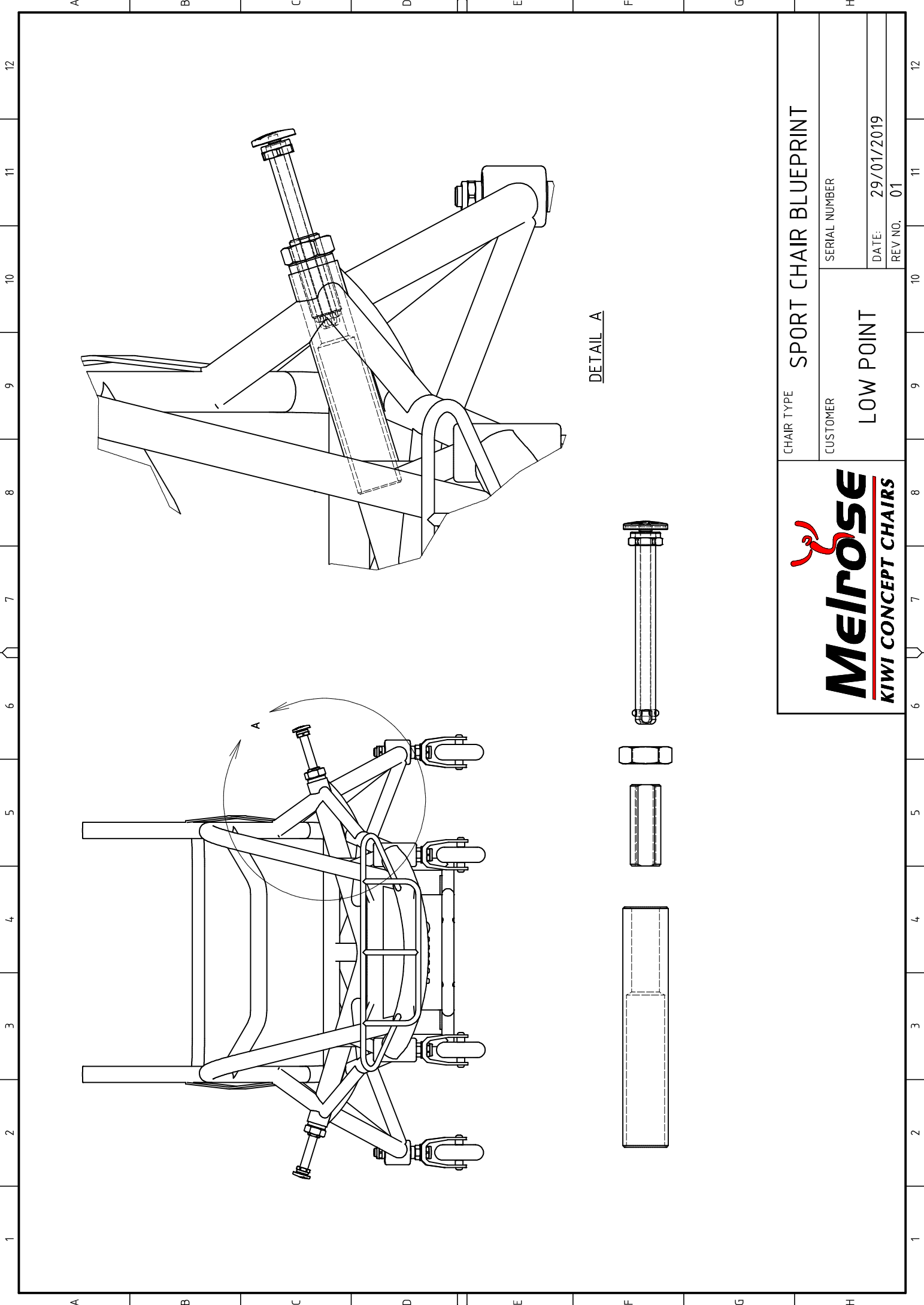
CUSTOMER **LOW POINT**

SERIAL NUMBER

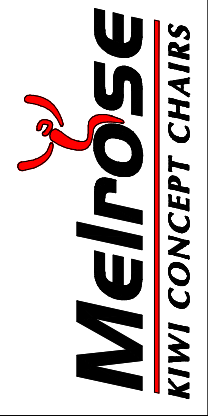
DATE: 29/01/2019

REV NO. 01

1 2 3 4 5 6 7 8 9 10 11 12



DETAIL A



CHAIR TYPE **SPORT CHAIR BLUEPRINT**

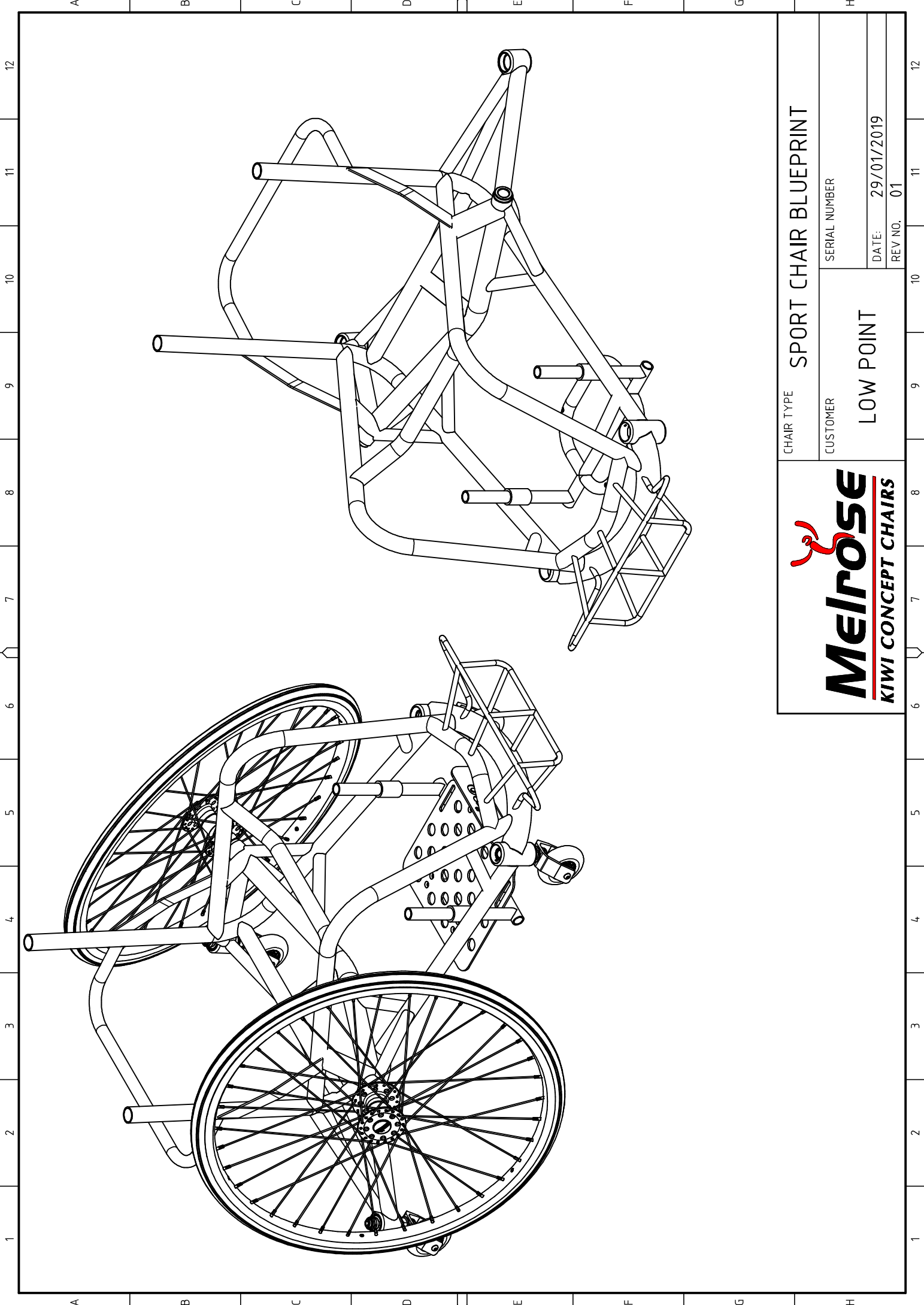
CUSTOMER **LOW POINT**

SERIAL NUMBER

DATE: 29/01/2019
REV NO. 01

12
11
10
9
8
7
6
5
4
3
2
1

A B C D E F G H



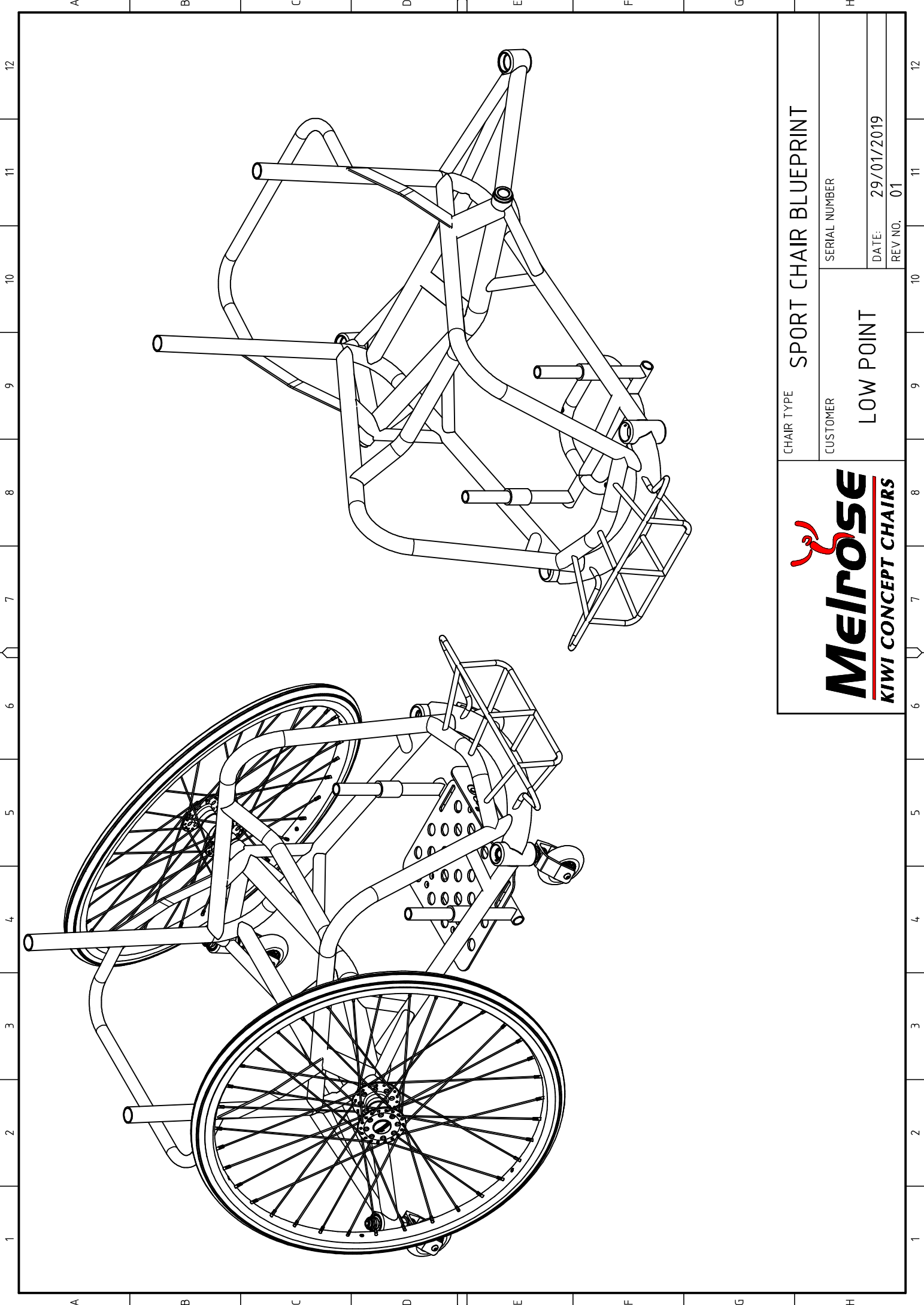
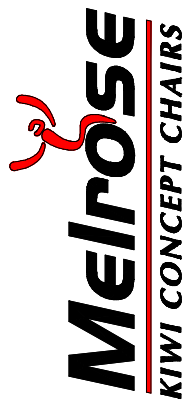
CHAIR TYPE SPORT CHAIR BLUEPRINT

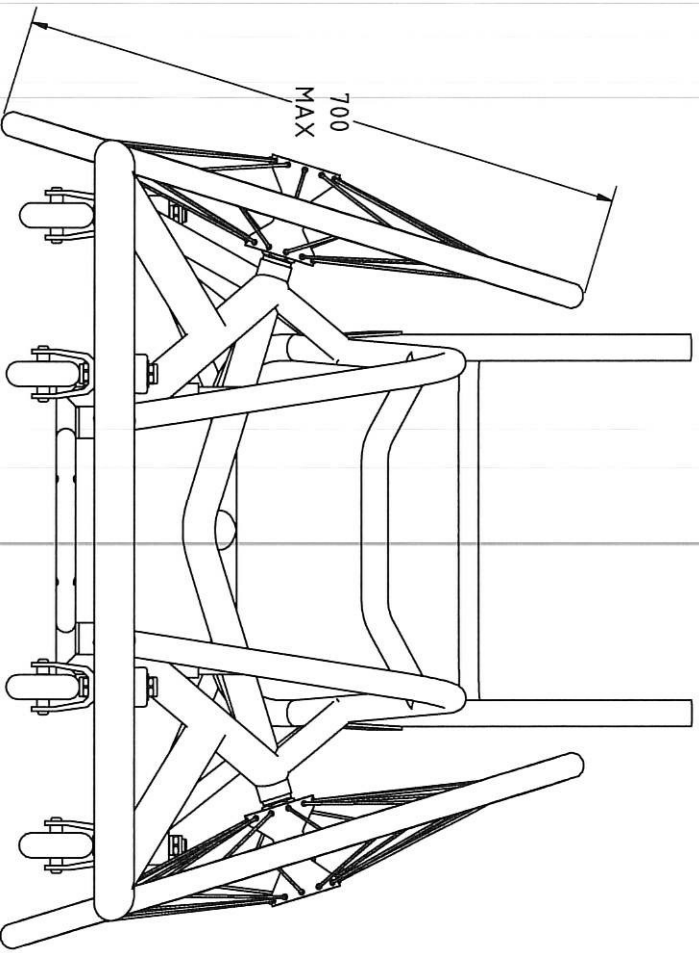
CUSTOMER SERIAL NUMBER

LOW POINT

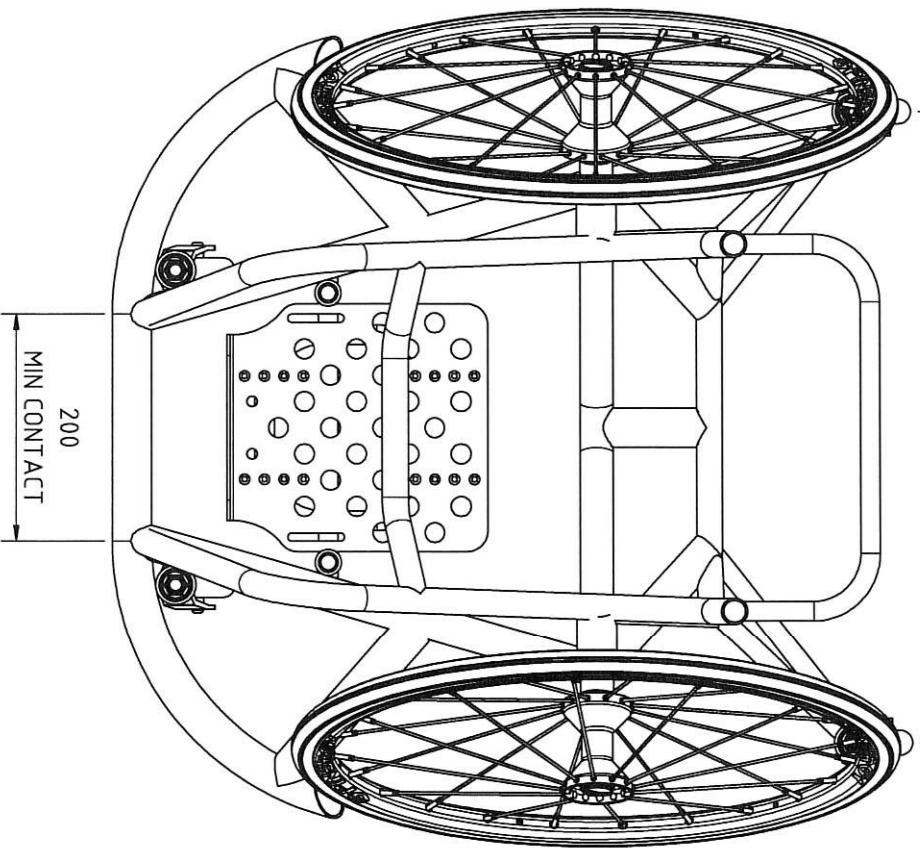
DATE: 29/01/2019

REV NO. 01





700
MAX



200
MIN CONTACT

WIDE AS POSSIBLE



CHAIR TYPE
SPORT CHAIR BLUEPRINT

CUSTOMER

HIGH POINT

SERIAL NUMBER

DATE: 29/05/2023

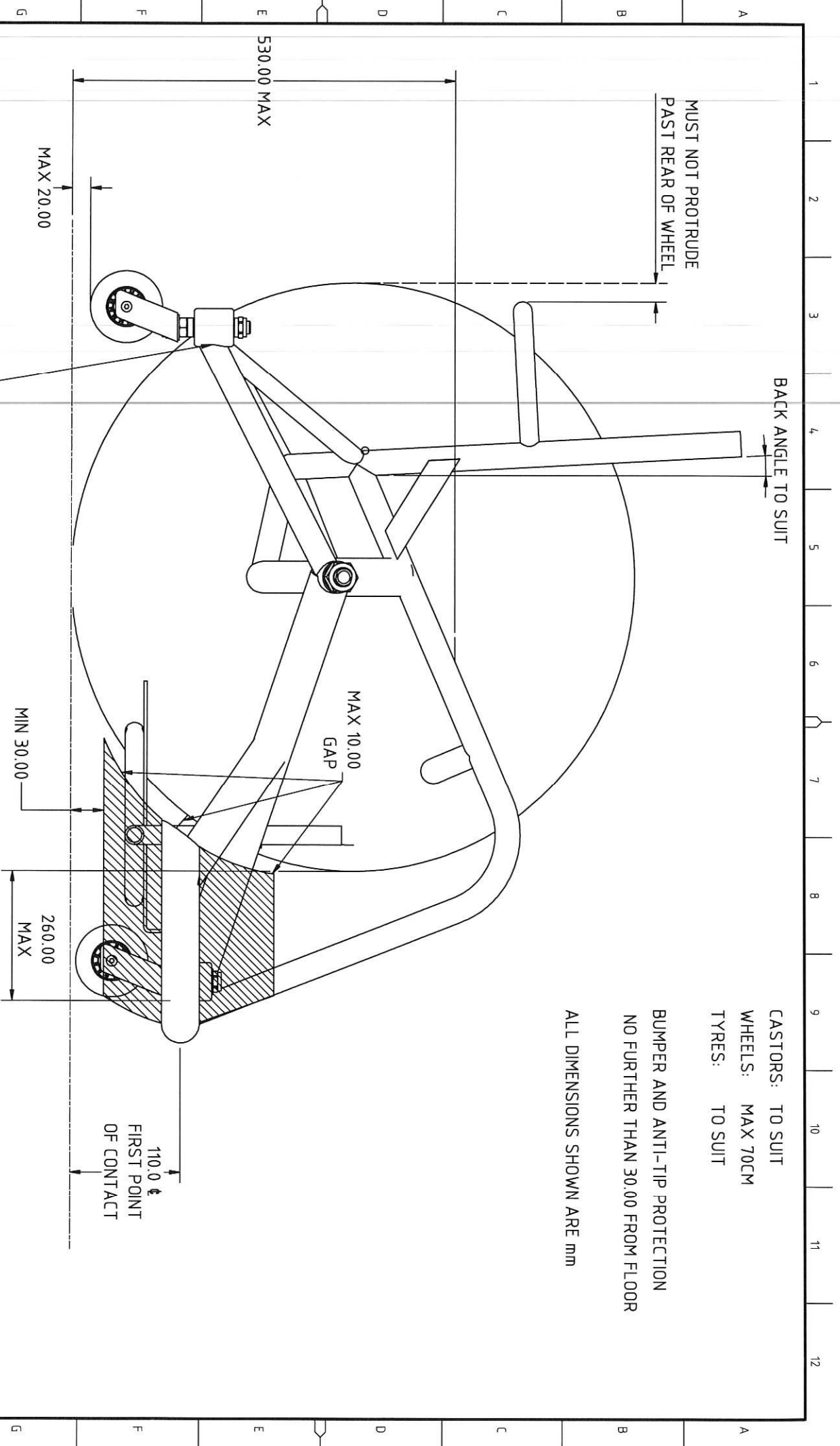
REV. NO. 02

A B C D E F G H

1 2 3 4 5 6 7 8 9 10 11 12

A B C D E F G H

1 2 3 4 5 6 7 8 9 10 11 12



CASTORS: TO SUIT
 WHEELS: MAX 70CM
 TYRES: TO SUIT

BUMPER AND ANTI-TIP PROTECTION
 NO FURTHER THAN 30.00 FROM FLOOR

ALL DIMENSIONS SHOWN ARE mm

CASTOR HOUSING
 INSIDE MAIN WHEEL



CHAIR TYPE
SPORT CHAIR BLUEPRINT

CUSTOMER
HIGH POINT

SERIAL NUMBER

DATE: 29/05/2023

REV NO. 02